

\* TAKE-UP LENGTH NOTE:  
MINIMUM LENGTH IS 9", STANDARD IS 1.5% OF SHAFT CENTERLINE LENGTH.

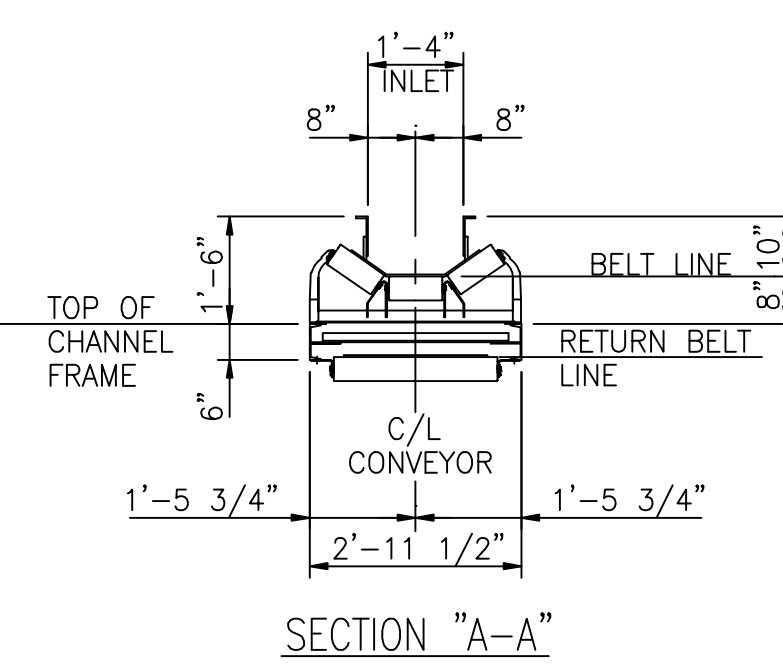
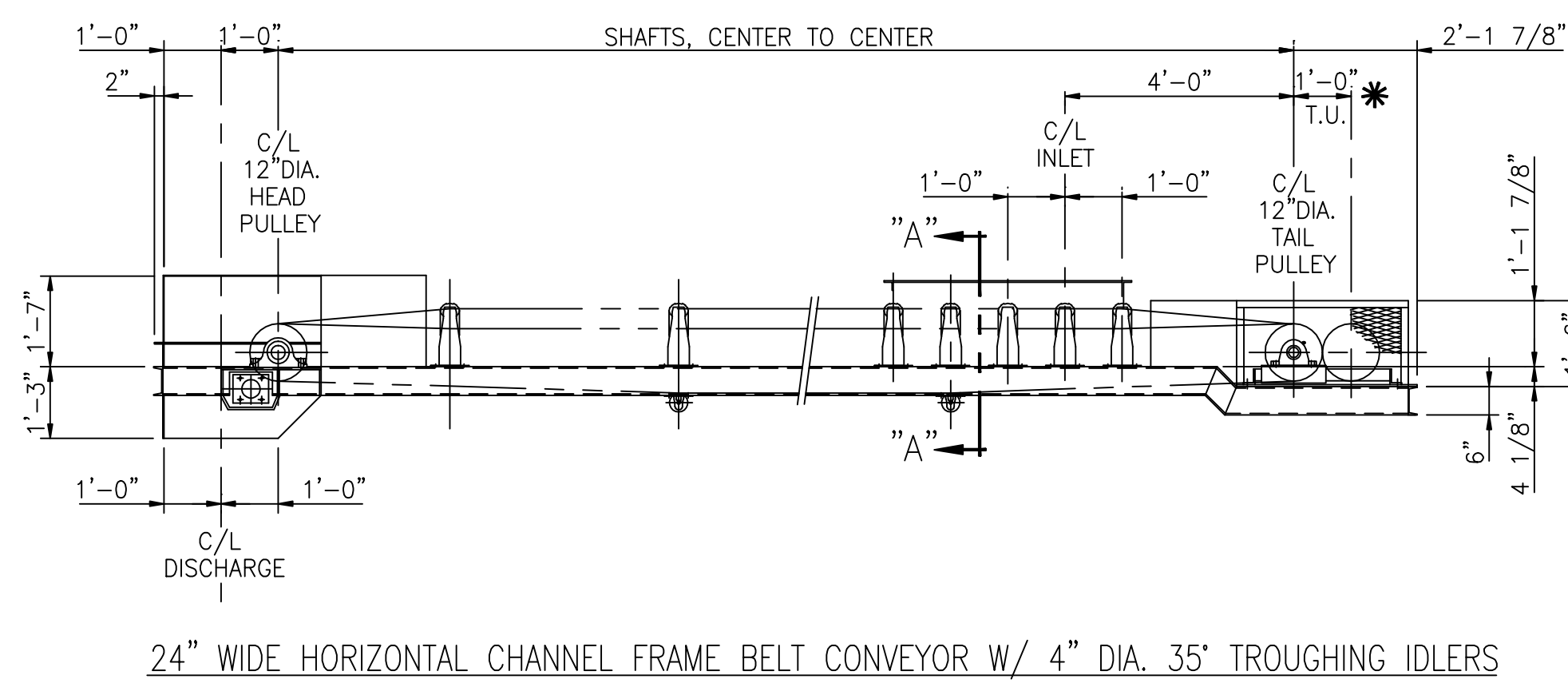
\* TAKE-UP LENGTH NOTE:  
MINIMUM LENGTH IS 9", STANDARD IS 1.5% OF SHAFT CENTERLINE LENGTH.

**CONTINENTAL SCREW CONVEYOR**

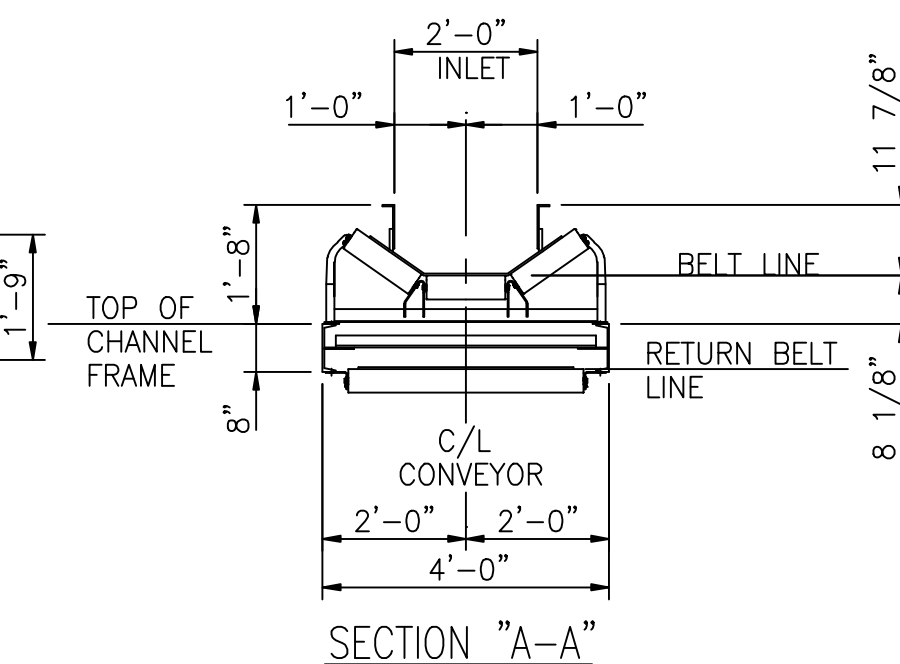
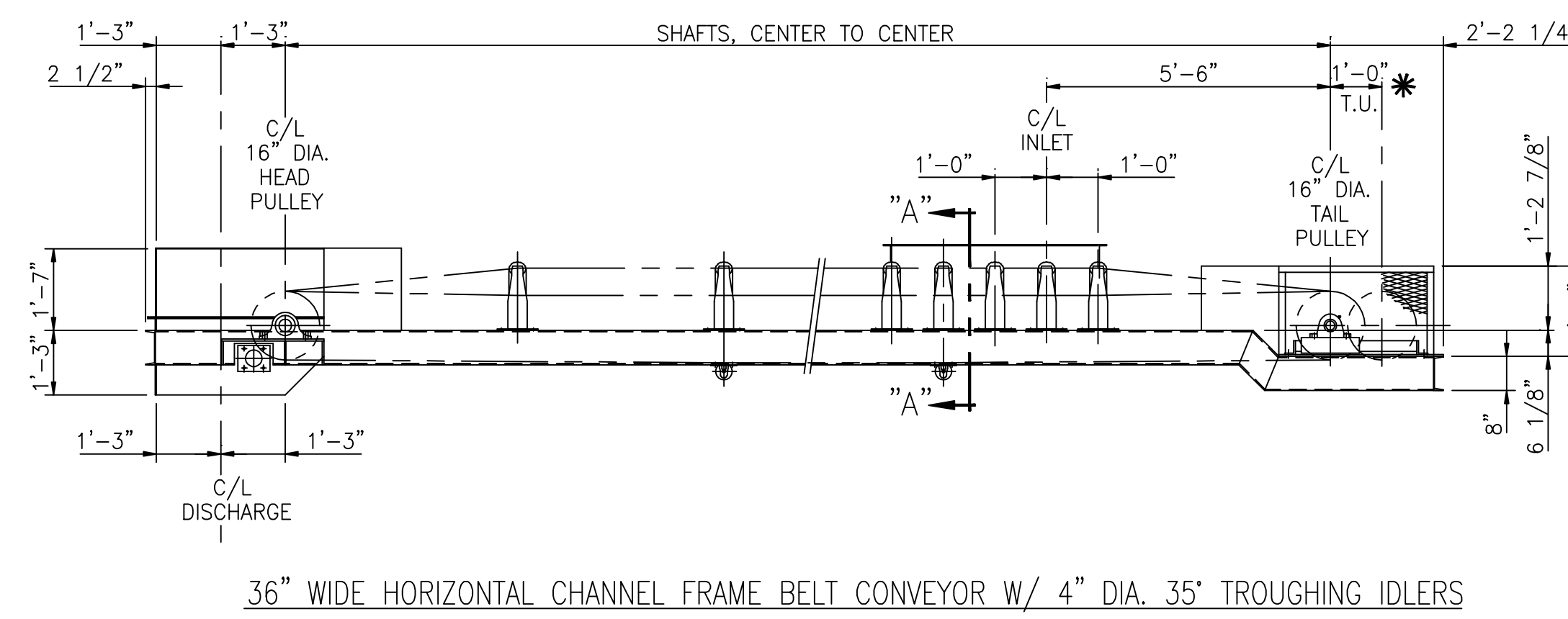
4343 EASTON ROAD SAINT JOSEPH, MO 64503  
PHONE 816-233-1800 FAX: 816-233-8315  
www.continentalscrew.com

**SAMPLE CHANNEL BELT CONVEYOR**

DIMENSIONS SHOWN ON DRAWING ARE SUBJECT TO CHANGE WITHOUT NOTICE AND SHOULD BE READ AS APPROXIMATE, NOT FINAL. MORE DETAILED AND ACCURATE GENERAL ARRANGEMENT DRAWINGS WILL BE PROVIDED TO CUSTOMER FOLLOWING ORDER PLACEMENT.



\* TAKE-UP LENGTH NOTE:  
MINIMUM LENGTH IS 9", STANDARD IS 1.5% OF SHAFT CENTERLINE LENGTH.



\* TAKE-UP LENGTH NOTE:  
MINIMUM LENGTH IS 9", STANDARD IS 1.5% OF SHAFT CENTERLINE LENGTH.